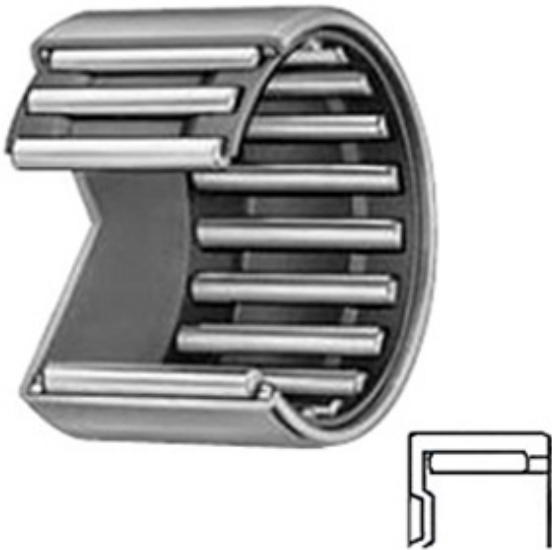




BEARING CORP.OF CANADA LTD.



BAM78 Bearing 2D drawings and 3D CAD models

0.438 Inch | 11.125 Millimeter x 0.625 Inch |
 15.875 Millimeter x 0.5 Inch | 12.7 Millimeter IKO
 BAM78 Needle Non Thrust Roller Bearings

Bearing No. BAM78

Category	Needle Non Thrust Roller Bearings
Inventory	0.0
Manufacturer Name	IKO
Minimum Buy Quantity	N/A
Weight	0.006
EAN	4549557002250
Product Group	B04144
Rolling Element	Needle Roller Bearing
Component	Roller Assembly with Outer Ring - No Inner Ring
Enclosure	Open
Self Aligning	No
Retainer	Yes
Number of Rows of Rollers	Single Row
Separable	No
Closed End	Yes
Inch - Metric	Inch
Relubricatable	No
Thrust Bearing	No
Long Description	7/16" Bore; 5/8" Outside Diameter; 1/2" Width; Needle Roller Bearing; Roller Assembly with Outer Ring - No Inner Ring; Open Enclosure; No Self Aligning; Yes Retainer; Single Row of



BEARING CORP.OF CANADA LTD.

	Roll
Other Features	1 Rib Outer Ring Drawn Cup Bearing
Category	Needle Non Thrust Roller Bearing
UNSPSC	31171512
Harmonized Tariff Code	8482.40.00.00
Noun	Bearing
Keyword String	Needle
Manufacturer URL	http://www.ikont.com
Manufacturer Item Number	BAM78
Weight / LBS	0.015
D	0.625 Inch 15.875 Millimeter
B	0.5 Inch 12.7 Millimeter
d	0.438 Inch 11.125 Millimeter