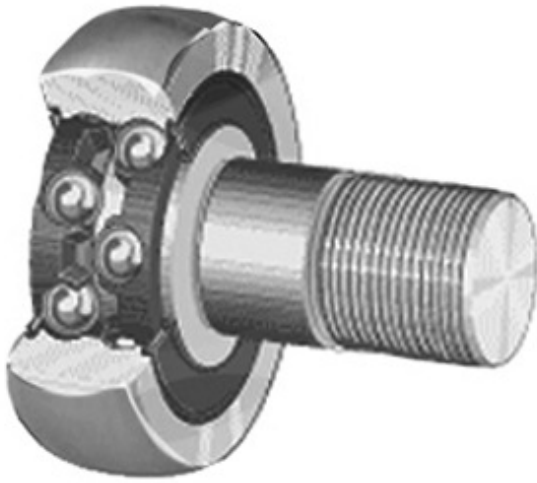




# BEARING CORP.OF CANADA LTD.

## INA KR5207-2RS Cam Follower and Track Roller - Stud Type



KR5207-2RS Bearing 2D drawings and 3D CAD models

Bearing No. KR5207-2RS

Category	Cam Follower and Track Roller - Stud Type
Inventory	0.0
Manufacturer Name	SCHAEFFLER GROUP
Minimum Buy Quantity	N/A
Weight	1.437
EAN	4012802795349
Product Group	B04120
Roller Surface Profile	Crowned
Profile	Stud Type
Thread Size	M30X1.5
Stud Profile	Standard Stud
Enclosure	Sealed
Rolling Element	Ball Bearing-Double Row
Hex Socket	Yes
Inch - Metric	Metric
Other Features	Lip Seals
Category	Cam Followers Stud Type
UNSPSC	31171530
Harmonized Tariff Code	8482.10.50.68
Noun	Bearing
Keyword String	Cam Follower
Manufacturer URL	<a href="http://www.ina.com">http://www.ina.com</a>
Manufacturer Item Number	KR5207NPPU
Weight / LBS	2.646
Roller Diameter	3.15 Inch   80 Millimeter



## BEARING CORP.OF CANADA LTD.

Roller Width	1.063 Inch   27 Millimeter
Stud Diameter	1.181 Inch   30 Millimeter