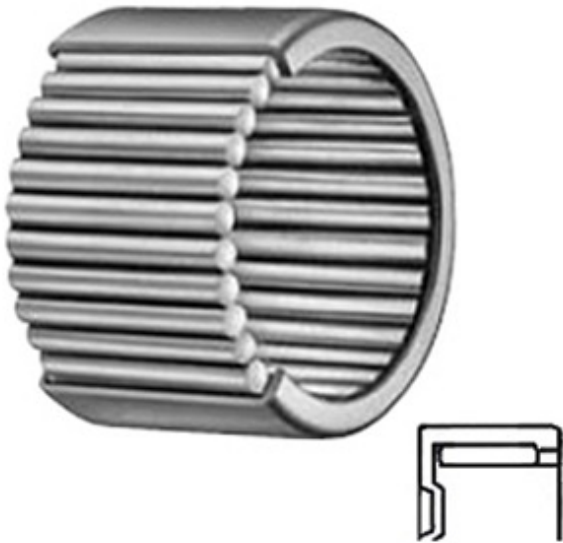




BEARING CORP.OF CANADA LTD.



1.25 Inch | 31.75 Millimeter x 1.5 Inch | 38.1
Millimeter x 1.25 Inch | 31.75 Millimeter KOYO
M-20201 PDL125 Needle Non Thrust Roller
Bearings

Bearing No. M-20201 PDL125

M-20201 PDL125 Bearing 2D drawings and 3D CAD
models

Category	Needle Non Thrust Roller Bearings
Inventory	0.0
Manufacturer Name	KOYO
Minimum Buy Quantity	N/A
Weight	0.072
Product Group	B04144
Rolling Element	Needle Roller Bearing
Component	Roller Assembly with Outer Ring - No Inner Ring
Enclosure	Open
Self Aligning	No
Retainer	No
Number of Rows of Rollers	Single Row
Separable	No
Closed End	Yes
Inch - Metric	Inch
Relubricatable	No
Thrust Bearing	No
Long Description	1-1/4" Bore; 1-1/2" Outside Diameter; 1-1/4" Width; Needle Roller Bearing; Roller Assembly with Outer Ring - No Inner Ring; Open; Not Self Aligning; No Retainer; Single Row of Rollers;



BEARING CORP.OF CANADA LTD.

Other Features	2 Rib Outer Ring Drawn Cup Bearing Full Complement Bulk Packing
Category	Needle Non Thrust Roller Bearing
UNSPSC	31171512
Harmonized Tariff Code	8482.99.65.30
Noun	Roller Assembly with Outer Ring
Keyword String	Bearing Needle
Manufacturer URL	http://www.koyousa.com
Manufacturer Item Number	M-20201;PDL125
Weight / LBS	0.162
d	1.25 Inch 31.75 Millimeter
B	1.25 Inch 31.75 Millimeter
D	1.5 Inch 38.1 Millimeter